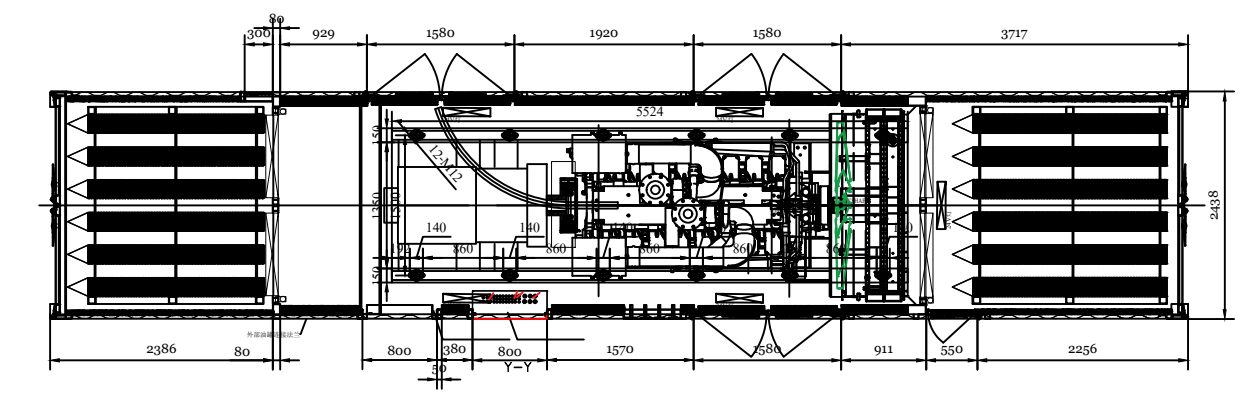
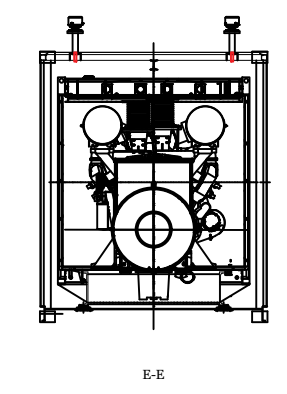
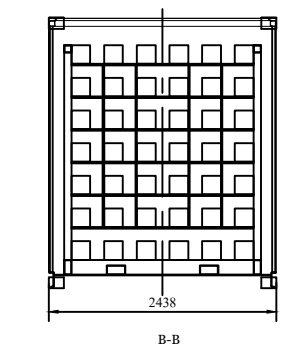
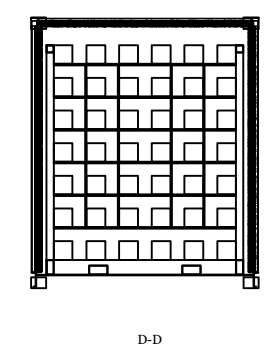
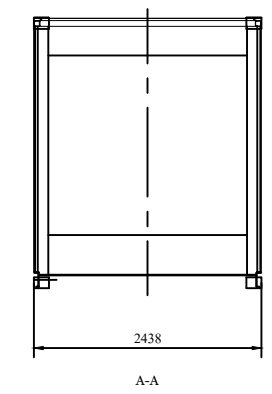
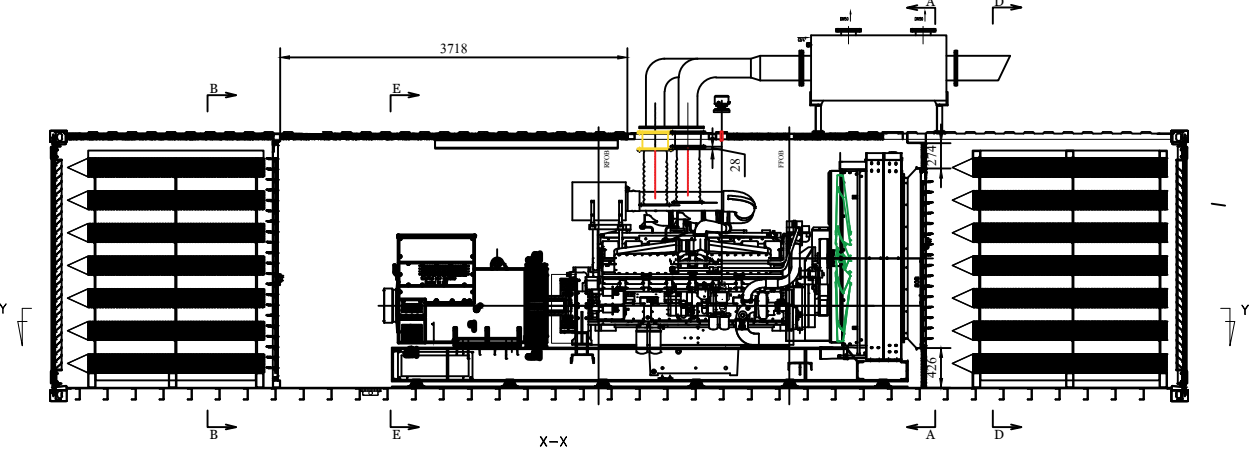
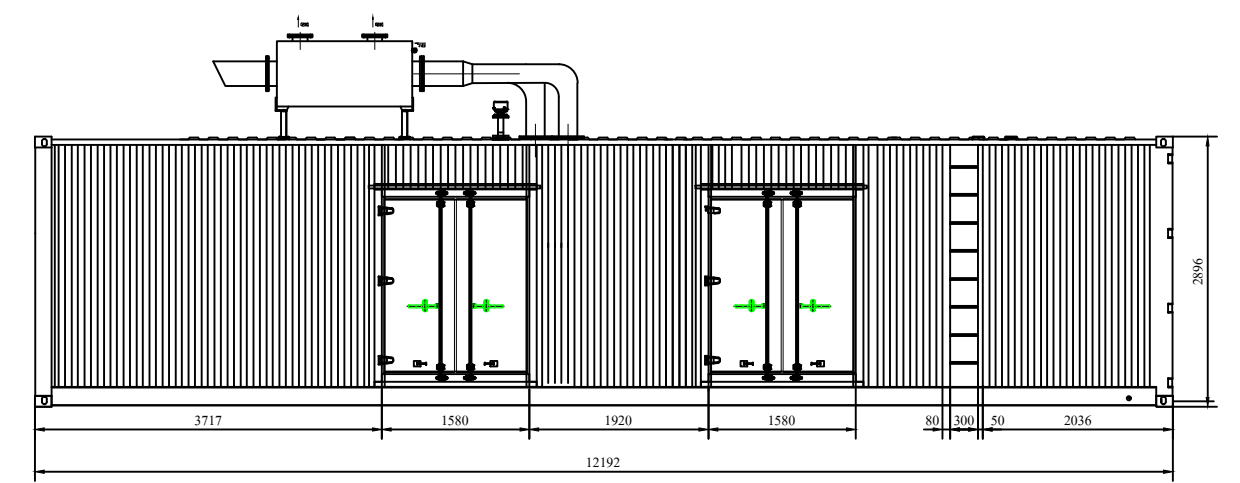
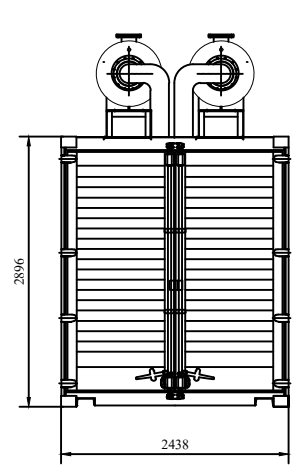
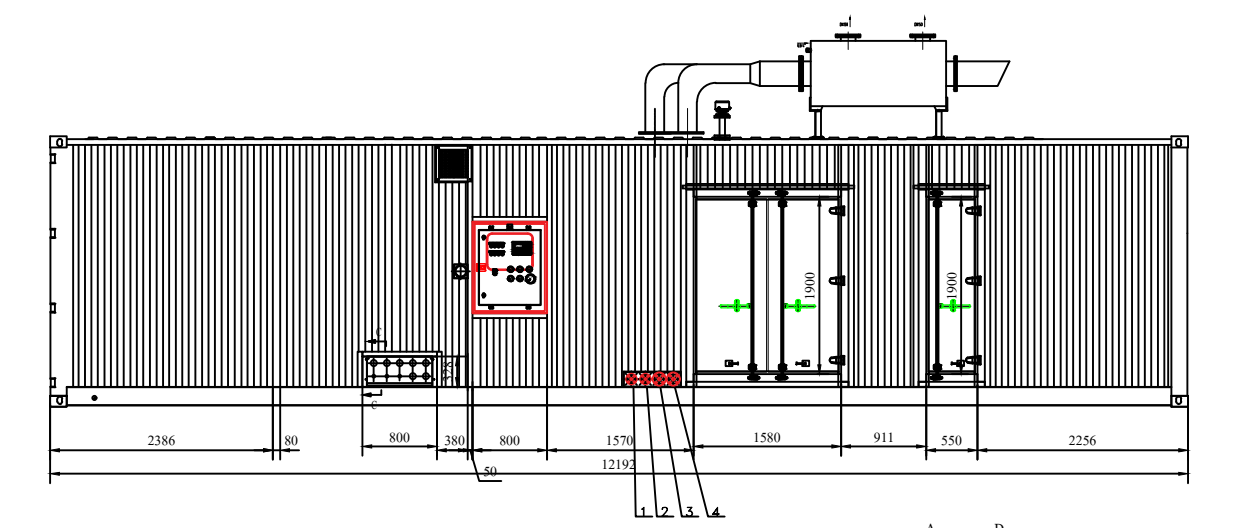
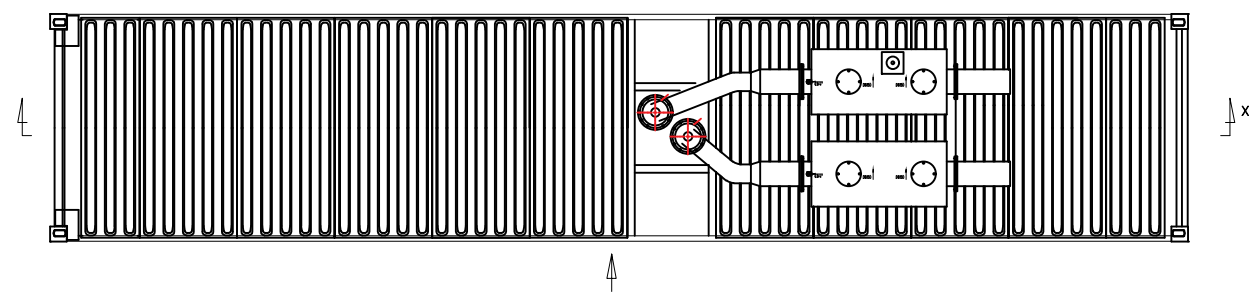
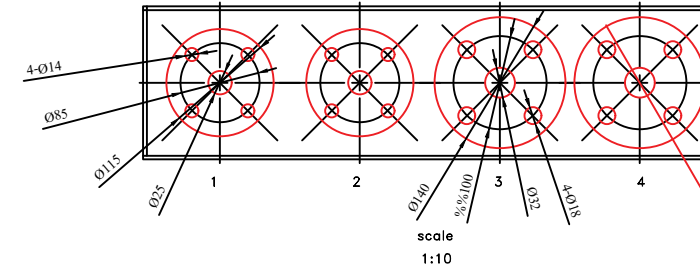


RevNo	Revision note	Date	Signature	Checked
-------	---------------	------	-----------	---------

External interface list		
1	Row lubricating oil mouth	#25mm
2	Blowdown Water nozzle	#25mm
3	External tank return port flange	#32mm
4	External tank inlet flange	#32mm



Itemref	Quantity	Title/Name, designation, material, dimension etc	Article No./Reference			
Designed by	Checked by	Approved by - date	Filename	Date	Scale	
Kontune TM Shanghai Kontune Power Co.,Ltd		POWER GENERATOR 1			Edition	Sheet