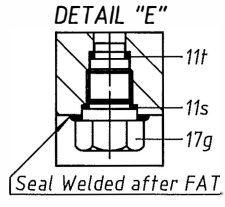
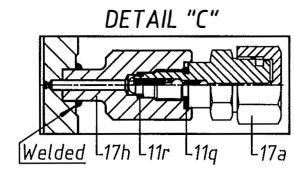
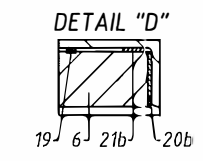


GENERAL NOTES:

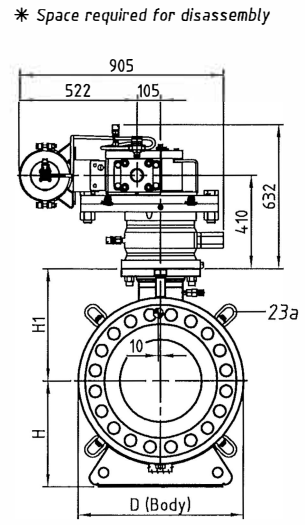
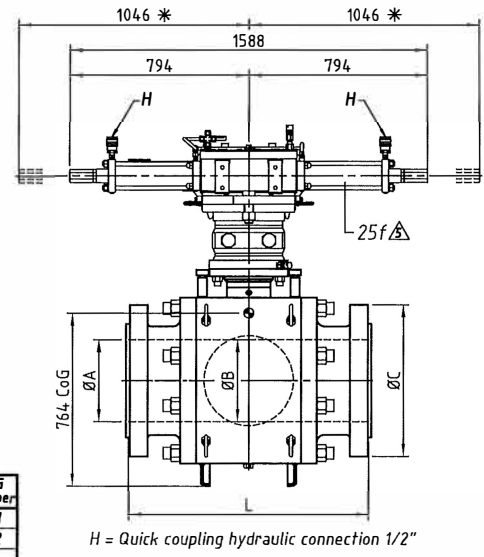
- Single Piston Effect seat rings (Self relieving)
- Double Piston Effect seat rings
- Fire safe according to API 6FA, API 607 and ISO 10497
- Wetted parts according to NACE MR 0175 and ISO 15156 Latest Edition
- Anti blow out stem
- Valve with antistatic device
- BI-directional valve

APPLICABLE STD:

- API 6D SS MONOGRAMMED
- ASME B16.5
- ASME B16.34
- PED Mod. H

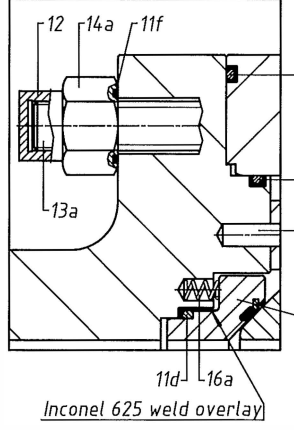


VALVE TO BE INSTALLED IN VERTICAL POSITION

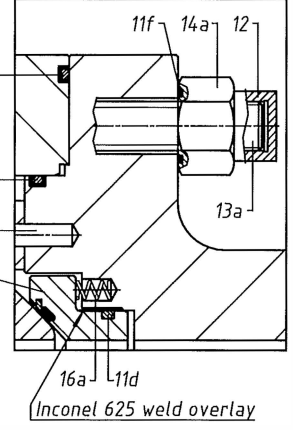


* Space required for disassembly

DETAIL "B" (DPE)



DETAIL "B1" (SPE)



Inconel 625 weld overlay

Inconel 625 weld overlay

Dimensions [mm] - Weight [Kg] - Dimensions not covered by international std. are approximate (±5%)

NPS	CLASS	ENDS	L	ØA	ØB	ØC	D	H	H1	Valve Weight	Actual Weight	Flows, Item	Cust. Item	TAG number
24"	150	RF	1067	589	589	813	1010	620	612	3100	450	10	1	V1
														V2

Pos.	DESCRIPTION	MATERIAL	Note
1	BODY	A350 LF2	2
2	CLOSURE	A350 LF2	2
3	BALL	A182 F316	3
4	SEAT (Single Piston Effect)	A182 F316	1-3
4a	SEAT (Double Piston Effect)	A182 F316	1-3
5	STEM	A 479 S32750	
6	BALL SUPPORT	EN10025 S355JR	
7	STEM COVER	B446 N06625	
8	SEALS CONTAINING FLANGE	B446 N06625	
8d	ACTUATOR FLANGE	B446 N06625	
9a	STEM KEY	STAINLESS STEEL	
11a	BODY O-RING	HNBR AED	
11b	STEM O-RING	HNBR AED	
11c	STEM COVER O-RING	HNBR AED	
11d	SEAT O-RING	HNBR AED	
11f	BODY/CLOSURE NUT O-RING	HNBR AED	
11g	BODY/STEM COVER FLANGE O-RING	HNBR AED	
11h	STEM COVER FLANGE/ACTUATOR FLANGE O-RING	HNBR AED	
11i	ACTUATOR FLANGE O-RING (EXTERNAL)	HNBR AED	
11l	ACTUATOR FLANGE O-RING (INTERNAL)	HNBR AED	
11m	ACTUATOR FLANGE/SEAL CONTAINING FLANGE O-RING	HNBR AED	
11n	ACTUATOR FLANGE/SEAL CONTAINING FLANGE LIP SEAL	PTFE + ELGILOY	
11o	BODY/CLOSURE O-RING	HNBR AED	
11p	ACTUATOR FLANGE NUT O-RING	HNBR AED	
11q	TOP STEM GREASER O-RING	HNBR AED	
11r	BOTTOM STEM GREASER O-RING	HNBR AED	
11s	TOP DRAIN PLUG O-RING	HNBR AED	
11t	BOTTOM DRAIN PLUG O-RING	HNBR AED	
12	PROTECTION BODY/CLOSURE BOLTS	A350 LF2	4
12a	PROTECTION ACTUATOR FLANGE BOLTS	A350 LF2	4
13a	BODY/CLOSURE STUD	A193 Gr. B7M	4
13c	ACTUATOR FLANGE STUD	A320 Gr. B8M Cl. 2	4
14a	BODY/CLOSURE NUT	A194 Gr. 2HM	4
14c	ACTUATOR FLANGE NUT	A194 Gr. 8M	4
15a	STEM COVER/BODY SCREW	A193 Gr. B7M	4
15b	ACTUATOR FLANGE/BODY SCREW	A193 Gr. B7M	4
15c	SEALS CONTAINING FLANGE SCREW	A193 Gr. B7M	4
15d	ACTUATOR FLANGE LUG/ACTUATOR FLANGE PIN SCREW	A193 Gr. B7M	4
16a	SEAT SPRING	INCONEL X750	
16b	ANTISTATIC SPRING	INCONEL X750	
17a	STEM GREASER	A479 T1316L	5
17g	DRAIN PLUG	A479 T1316L	
17h	STEM GREASER NIPPLE	A479 T1316L	
19	BALL SUPPORT PROTECTION RING	PTFE	
19a	BODY/STEM PROTECTION RING	PTFE	
20a	STEM BUSHING	AISI 316 + TEX	
20b	BALL BUSHING	AISI 316 + TEX	
21a	STEM THRUST WASHER	AISI 316 + TEX	
21b	BALL THRUST WASHER	AISI 316 + TEX	
21c	FLANGE LIP SEAL WASHER	AISI 316 + TEX	
22a	BALL SUPPORT PIN	F568 Gr. 8.8	
22b	ACTUATOR FLANGE/STEM COVER PIN	UNS S17400	
22c	STEM COVER/BODY PIN	UNS S17400	
22d	ACTUATOR FLANGE/BODY PIN	A694 F60	
22e	ACTUATOR FLANGE/ACTUATOR PIN	AISI 316	
23a	EYEBOLT	EN10025 S355JR	
23b	VALVE SUPPORT	EN10025 S355JR	
23d	ACTUATOR FLANGE LUG	B443 N06625	
25f	HYDRAULIC ACTUATOR Type LEDEEN model MERMAID S-SY 10 10 -2-H-S		
26a	STEM LIP SEAL	PTFE + ELGILOY	

NOTES:

- 1 - Primary metal;
- 2 - Secondary metal (Delta ring - HN BR AED)
- 3 - Inconel 625 weld overlay
- 3 - Electroless Nickel Plated 75 µm
- 4 - Xylar 1 + Xylar 1070
- 5 - With double check valve

5	22.05.19	As built		
4	05.04.19	Issued For approval		
3	04.03.19	Issued For approval		
2	26.02.17	Issued For approval		
1	23.01.17	Issued For approval		
0	20.09.17	Issued For customer's		
Rev.	Date	Description		

FLOWERVE
Valves

Flowers ref.:

Notes:

GENERAL ARRANGEMENT DRAWING
THROU-MOUNTED BALL VALVE
BOLTED BODY SIDE ENTRY - SUB SEA

Doc. N°: **GA 62896-01**



Valbart
Flowserve s.r.l.
FCO Division – Valbart Plant
Via Delle Industrie 15
20883 MEZZAGO (MB)
ITALY

CERTIFICATE OF CONFORMITY No. COC-

CUSTOMER:

JOB NO.:

PURCHASE ORDER N°:

EQUIPMENT: **ACTUATED BALL VALVES**

Flowserve Valbart certifies that the valves in the scope of supply detailed in following table have been designed, manufactured and tested in compliance with purchase order requirements.

LIST OF VALVES

VALBART ITEM no.	SIZE	CLASS	SERIAL no.	TAG
000010	24"	150#		V1
000010	24"	150#		V2

Flowserve srl
FCO Division - VALBART plant
Quality Control ept

FLOWSERVE
Valbart
Quality Control
V. Gambirasi

10/12/2019