

SAFRAN SLIM PLUS SEAT COMPLIANT WITH AD 2017-09-09

Here after Safran Seat US, previously Zodiac Seat US, slim plus seat specification and layout.

Description

A. The Slim Plus Double Seat Assemblies are shown in Figures 1 thru 10. The slim plus double seat assemblies are mounted to seat tracks with track fitting assemblies and front stud assemblies. The seats are equipped with a base frame assembly, seat back assemblies, armrest assemblies, sliding food tray assemblies, nylon lap belt assemblies or y-lap belt assemblies, literature pocket assemblies, life vest pouch assemblies, seat pan assemblies, bottom cushion assemblies, and back cushion assemblies. The recline lock assemblies control the recline positions and are factory set for the upright and full recline limits. The recline control buttons are located on the aisle and outboard armrest assemblies, on the aisle and center armrest assemblies, or on the in-arm food tray assemblies. The recline position can be adjusted by the passenger within the range of travel set at the factory.

B. The base frame assembly provides installation of the seat back assemblies, seat pan assemblies, armrest assemblies and sliding food tray assemblies. The base frame assembly is equipped with the baggage bar assembly, leg assemblies, spreader assemblies, and tube assemblies.

C. The seat back assembly is constructed of composite materials for strength and light weight. Velcro strip is bonded to the structure to secure the back cushion assemblies and the literature pocket assemblies. The food tray latch assembly is provided to secure the sliding food tray assembly in the stowed position. The back pivot fitting assembly is mounted to the seat pan assemblies.

D. The aisle, outboard, and center armrest assemblies are constructed of metal, molded plastic and bonded plastic integral color to match the airline requirements. The arm cap assembly is mounted to the top of the structure and acts as a cushion. The aisle armrest assembly have a movable capability for handicap access. A discreet spring-loaded catch is provided to secure the aisle armrest assembly in the lowered position. The catch is accessible under the aisle arm structure not visible to the passenger.

E. The seat pan assemblies are an articulating sliding bottom pan with composite diaphragm. The seat bottom assemblies sliding mechanism will be attached to the base frame assembly at the front of the seat and to the seat back assemblies at the rear. When reclining the seat the seat pan assemblies slides forward. The bottom cushion assemblies rests on this articulating base frame assemblies. The seat back assemblies attaches to the seat pan assemblies and the base frame assemblies. Recline lock assemblies mounted under the bottom pan/composite diaphragms control the recline system.

F. The sliding food tray assemblies are secured to the base frame assembly with the food tray attachment spacer. A set screw is used to adjust the sliding food tray assembly to a 3.0 degrees rise above horizontal. The 3.0 degrees rise levels the sliding food tray assemblies during flight.

G. The bottom cushion assemblies, back cushion assemblies, and literature pocket assemblies are attached to the seat with Velcro strips.

Operation

Technical properties

Note: Suffix “AA” and “AN” define the cosmetic layout of the seat.

Seat “AA” layout:

- Backrest and bottom cushion covers in grey;
- Seat belt grey;
- Lower literature pocket trim in blue;
- Upper literature pocket in grey.

Seat “AN” layout:

- Backrest and bottom cushion covers in green;
- Seat belt in petroleum;
- Lower literature pocket trim in green;
- Upper literature pocket in green.

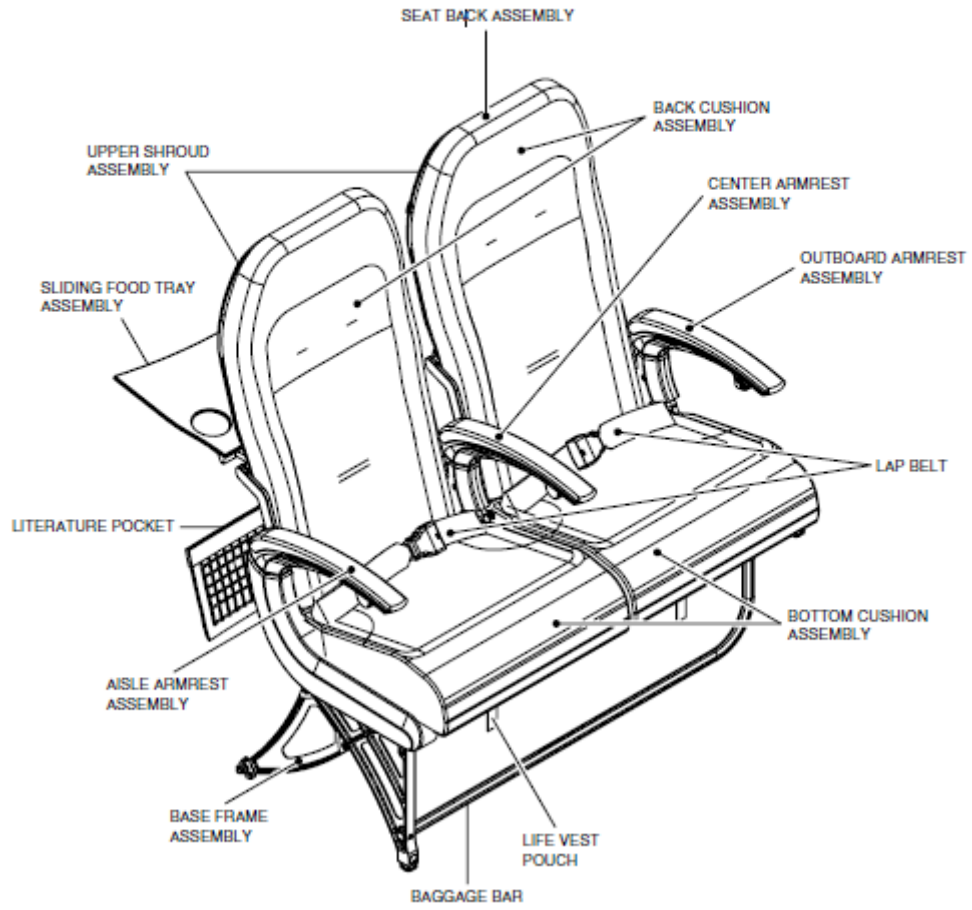
Property	Specification
Manufacturer	Safran Seats USA LLC (CAGE 3K723)
Part Number	Nomenclature
41752003-101-XX 41752003-102-XX	Standard Double Seat Assembly
41753003-101-XX 41753003-102-XX	Forward Exit Row Double Seat Assembly

<p>41754003-101-XX 41754003-102-XX</p> <p>41755003-101-XX 41755003-102-XX</p> <p>41756003-101-XX 41756003-102-XX</p>	<p>Exit Row Double Seat Assembly</p> <p>Last Row Double Seat Assembly</p> <p>Front Row Double Seat Assembly</p>
<p>Seat Back Assembly Positions Full Upright Position</p> <p>41752003-101-XX 41752003-102-XX 41754003-101-XX 41754003-102-XX 41755003-101-XX 41755003-102-XX 41756003-101-XX 41756003-102-XX</p> <p>41753003-101-XX 41753003-102-XX</p>	<p>1.5 degrees from vertical reference</p> <p>0 degrees from vertical reference</p>
<p>Full Recline Position</p> <p>41752003-101-XX 41752003-102-XX 41754003-101-XX 41754003-102-XX 41755003-101-XX 41755003-102-XX 41756003-101-XX 41756003-102-XX</p> <p>41753003-101-XX 41753003-102-XX</p>	<p>8.7 degrees from vertical reference</p> <p>No recline</p>
<p>Sliding Food Tray Assembly Angle</p>	<p>3.0 degrees lifted from horizontal reference</p>
<p>Overall Dimensions</p> <p>Width</p> <p>Height</p> <p>41752003-101-XX 41752003-102-XX 41754003-101-XX 41754003-102-XX 41755003-101-XX 41755003-102-XX 41756003-101-XX 41756003-102-XX</p> <p>41753003-101-XX 41753003-102-XX</p>	<p>42.9 in. (108,97 cm)</p> <p>45.0 in. (114,3 cm)</p> <p>45.1 in. (115,5 cm)</p>

<p>Depth - Upright Position</p> <p>41752003-101-XX 41752003-102-XX 41754003-101-XX 41754003-102-XX</p> <p>41755003-101-XX 41755003-102-XX</p> <p>41756003-101-XX 41756003-102-XX</p> <p>41753003-101-XX 41753003-102-XX</p>	<p>25.6 in. (65,1 cm)</p> <p>24.9 in. (63,3 cm)</p> <p>25.8 in. (65,6 cm)</p> <p>25.1 in. (63,8 cm)</p>
<p>Life Vest Weight (Per Unit)</p>	<p>1.5 lb (0,68 kg)</p>
<p>Literature Pocket Weight (Per Unit)</p> <p>Upper Lower</p>	<p>2.0 lb (0,91 kg) 3.0 lb (1,36 kg)</p>
<p>Max Certified Seat Weight (Without Life Vest And Literature Pocket)</p> <p>41752003-101-XX 41752003-102-XX 41754003-101-XX 41754003-102-XX 41755003-101-XX 41755003-102-XX 41753003-101-XX 41753003-102-XX</p> <p>41756003-101-XX 41756003-102-XX</p>	<p>76.4 lb (34,65 kg)</p> <p>81.6 lb (37,01 kg)</p>
<p>Seat Weight</p> <p>41756003-101-XX 41756003-102-XX</p> <p>41752003-101-XX 41752003-102-XX</p> <p>41753003-101-XX 41753003-102-XX</p> <p>41754003-101-XX 41754003-102-XX</p> <p>41755003-101-XX 41755003-102-XX</p>	<p>73,75 lb (33,45 kg)</p> <p>58,53 lb (26,55 kg)</p> <p>58,53 lb (26,55 kg)</p> <p>58,53 lb (26,55 kg)</p> <p>47,95 lb (21,75 kg)</p>

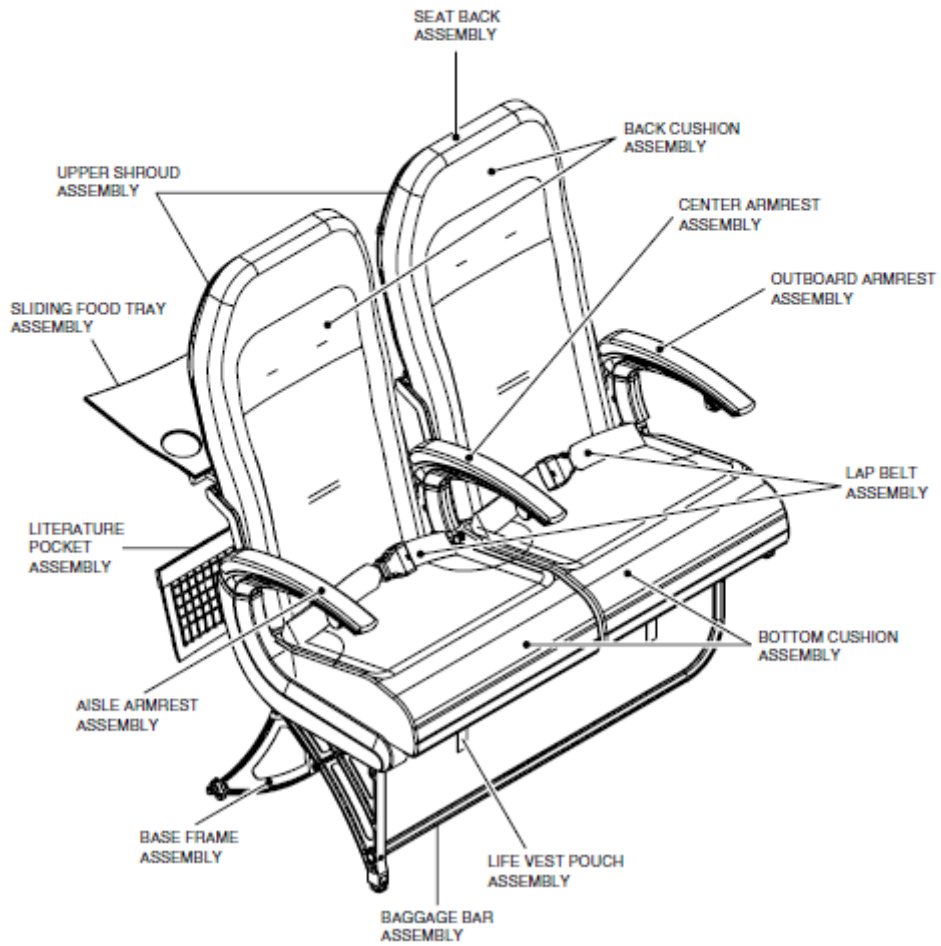
Standard Double Seat Assembly

41752003-101-AA
41752003-102-AA
41752003-101-AN
41752003-102-AN



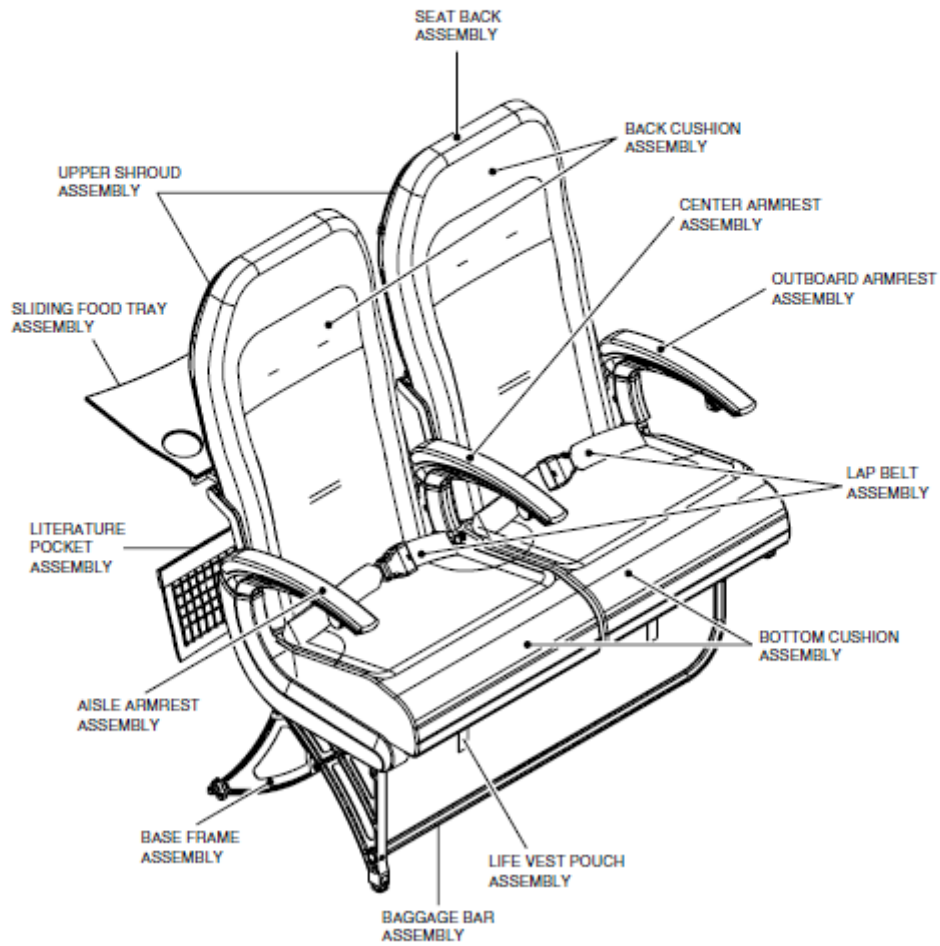
Forward Exit Row Double Seat Assembly

41753003-101-AA
41753003-102-AA
41753003-101-AN
41753003-102-AN



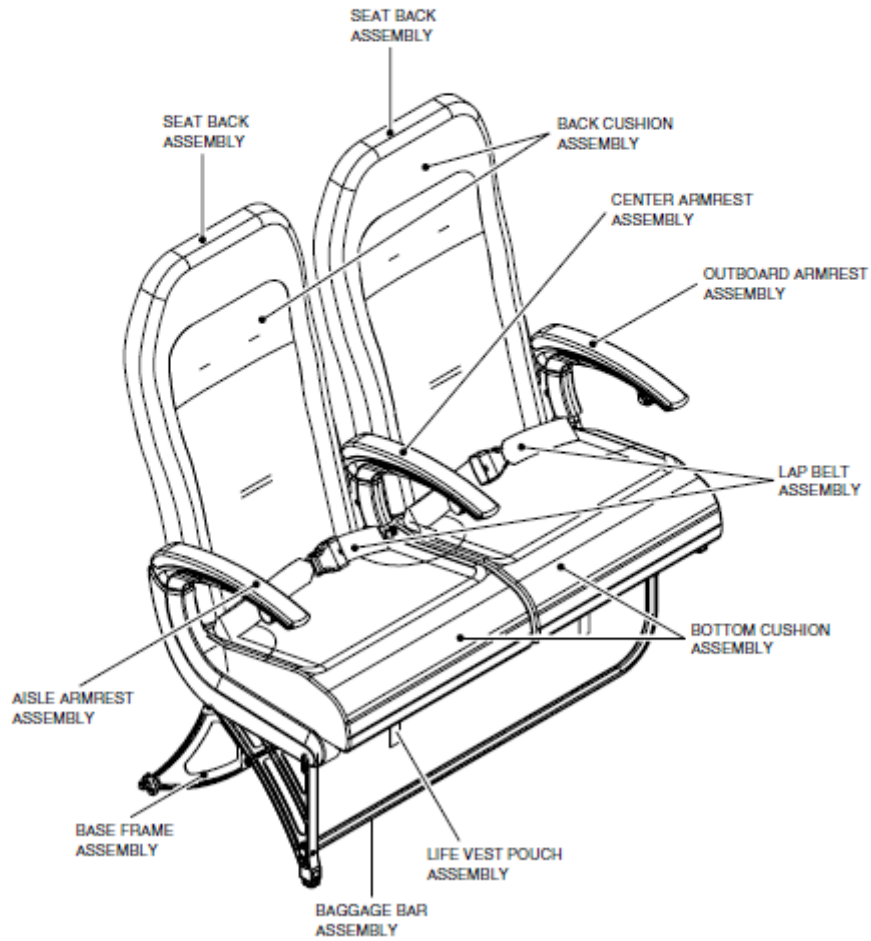
Exit Row Double Seat Assembly

41754003-101-AA
41754003-102-AA
41754003-101-AN
41754003-102-AN



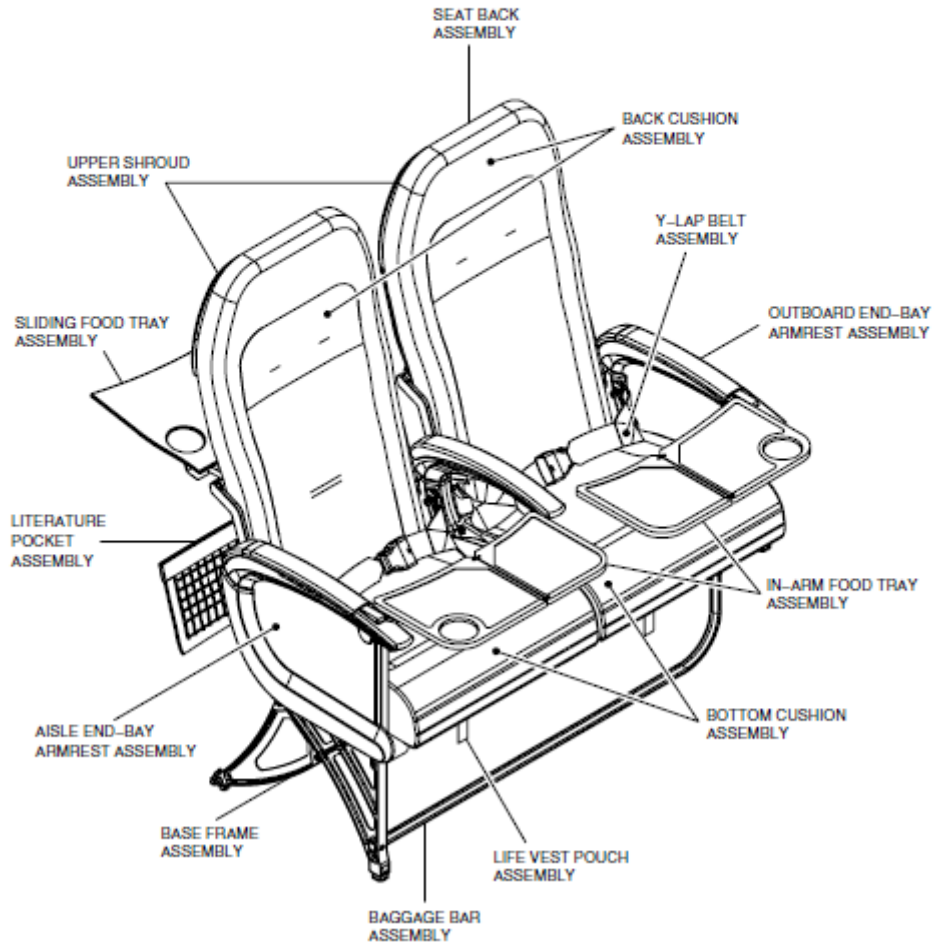
Last Row Double Seat Assembly

41755003-101-AA
41755003-102-AA
41755003-101-AN
41755003-102-AN



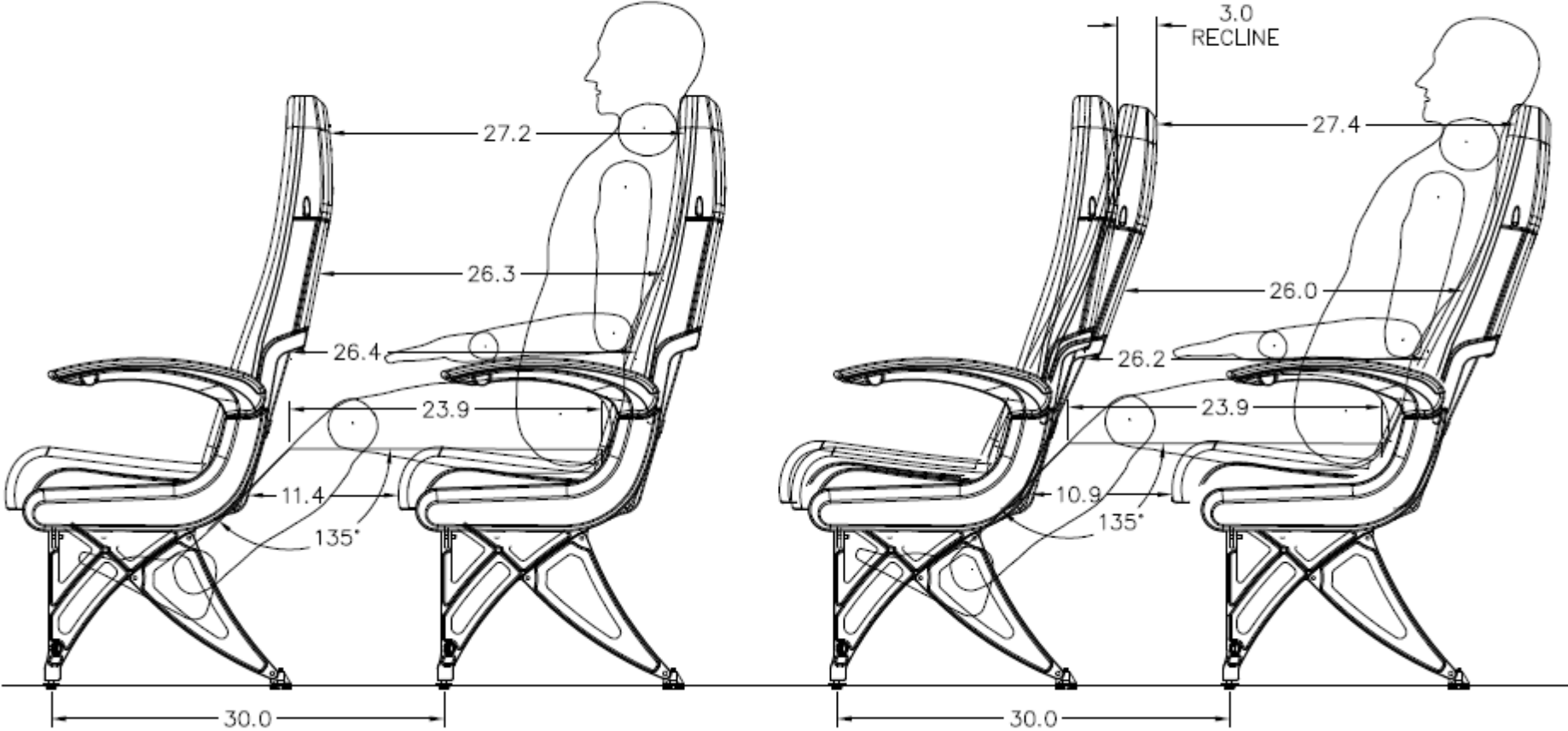
Front Row Double Seat Assembly

41756003-101-AA
41756003-102-AA
41756003-101-AN
41756003-102-AN



LIVING SPACE

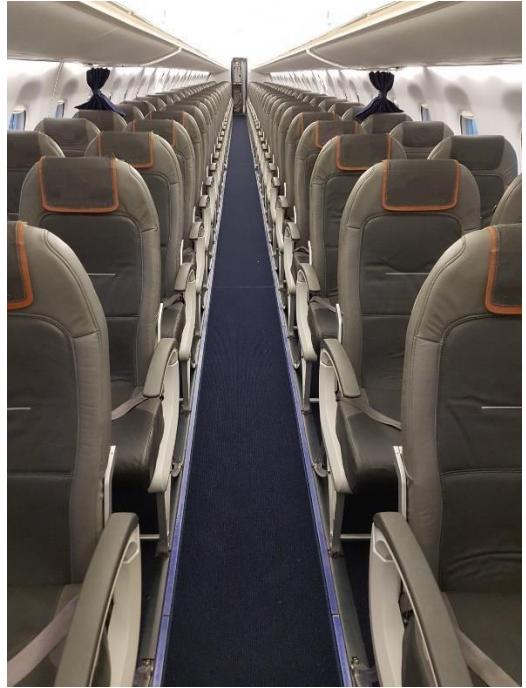
SLIM SEAT PLUS AND 50TH PERCENTILE MALE
LIVING SPACE DIMENSIONS AT CENTERLINE OF EACH PAX PLACE
30" SEAT PITCH, FULL UPRIGHT AND 3" RECLINE



NOTE: ALL DIMENSIONS ARE IN INCHES

PICTURES

“AA” Configuration



“AN” Configuration

