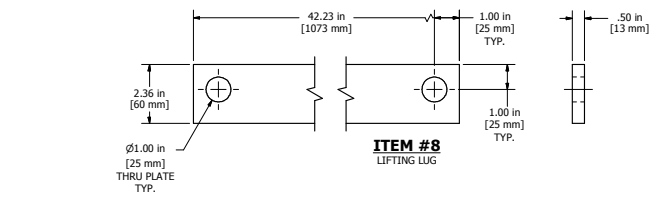
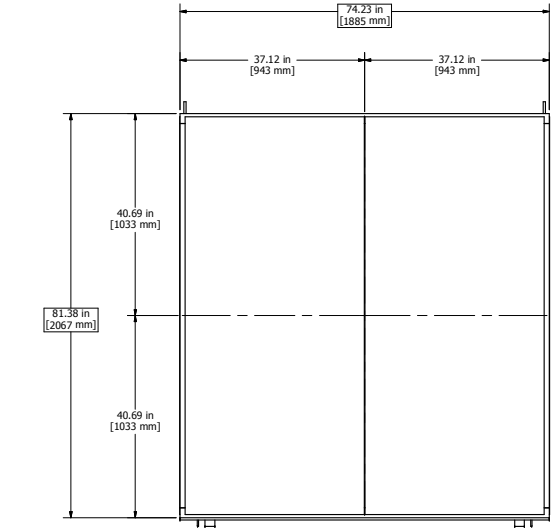


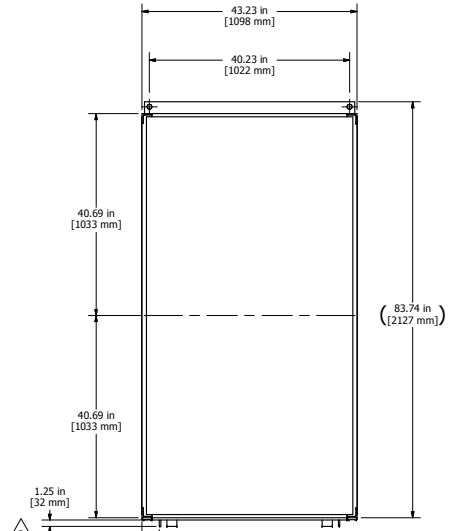
**TOP VIEW**  
 (3) THREE OUT OF THE (30) THIRTY H042.34EEEHS MODULES WILL CONTAIN SAMPLE ELEMENT



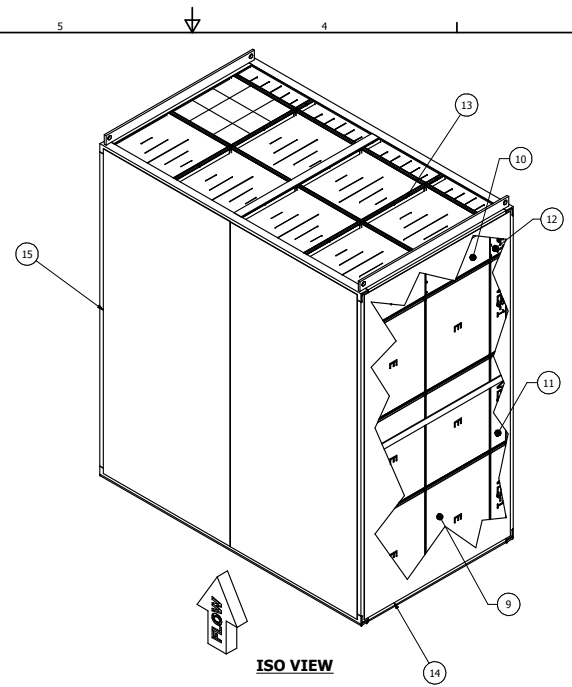
**ITEM #8**  
LIFTING LUG



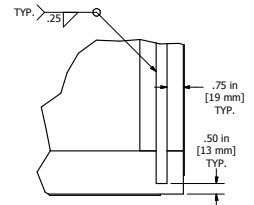
**FRONT VIEW**



**SIDE VIEW**

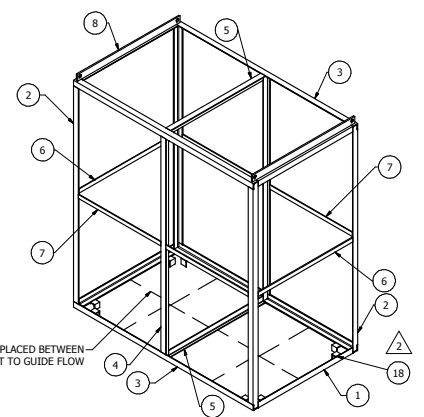


**ISO VIEW**



**DETAIL A**

PARTS LIST				
ITEM	ITEM QTY	DESCRIPTION	LENGTH	MATERIAL
1	4	L 2 x 2 x 1/4"	39.23 in	SS 304
2	4	L 2 x 2 x 1/4"	80.88 in	SS 304
3	4	L 2 x 2 x 1/4"	74.23 in	SS 304
4	2	T 2 x 2 x 1/4"	80.88 in	SS 304
5	2	T 2 x 2 x 1/4"	39.23 in	SS 304
6	2	FLT BAR 1 1/2 x 1/4"	39.23 in	SS 304
7	4	FLT BAR 1 1/2 x 1/4"	34.12 in	SS 304
8	2	LIFTING LUG (SEE DETAIL)		SS 304
9	24	ELEMENT "E"		DNX - CATALYST
10	8	ELEMENT "HS" (200mm.)		DNX - CATALYST
11	12	ELEMENT "VES-1"		DNX - CATALYST
12	4	ELEMENT "VHS-1" (200mm.)		DNX - CATALYST
13		1/2" DIA. ROPE		FIBERGLASS
14	2	18 GA 41.5" X 80" SHEET METAL		SS 304
15	4	18 GA 36" X 80" SHEET METAL		SS 304
16	2	TADPOLE GASKET	74.21 in	FIBERGLASS
17	2	TADPOLE GASKET	39.23 in	FIBERGLASS
18	8	L 2 x 2 x 1/4"	2.00 in	SS 304



**FRAME**

5/8" MECH TUBING TO BE PLACED BETWEEN CATALYST TO GUIDE FLOW

- GENERAL NOTES:**
- TOTAL MODULE WEIGHT APPROX: 3,787 lbs., [1,718 kgs.]
  - DIMENSIONS OF ONE "E" CASSETTE: 18.3" x 18.3" x 24.09", [466 x 466 x 612].
  - DIMENSIONS OF ONE "VES-1" CASSETTE: 18.3" x 5.98" x 24.09", [466 x 152 x 612].
  - DIMENSIONS OF ONE "HS" CASSETTE: 18.3" x 18.3" x 10.20", [466 x 466 x 259].
  - DIMENSIONS OF ONE "VHS-1" CASSETTE: 18.3" x 5.98" x 10.20", [466 x 152 x 259].
  - ALUMINIZED CARBON STEEL ELEMENT CASSETTES GOOD FOR UP TO 1000°F.
  - DIMENSIONAL TOLERANCES SHOULD BE ± 2mm (.08in)
  - SQUARE DIMENSIONAL TOLERANCE IS ± .5°
  - WELDS ARE TO BE FULL PENETRATION WHERE POSSIBLE AND GROUND FLUSH WITH SURFACE.
  - ALL ELEMENTS MUST BE METAL TO METAL WITH NO GAPS.
  - DIMENSIONS GIVEN IN U.S. UNITS AND MM. DRAWN DIMENSIONS IN U.S. UNITS.

**FABRICATE TO MILLIMETER SPECIFICATIONS.**

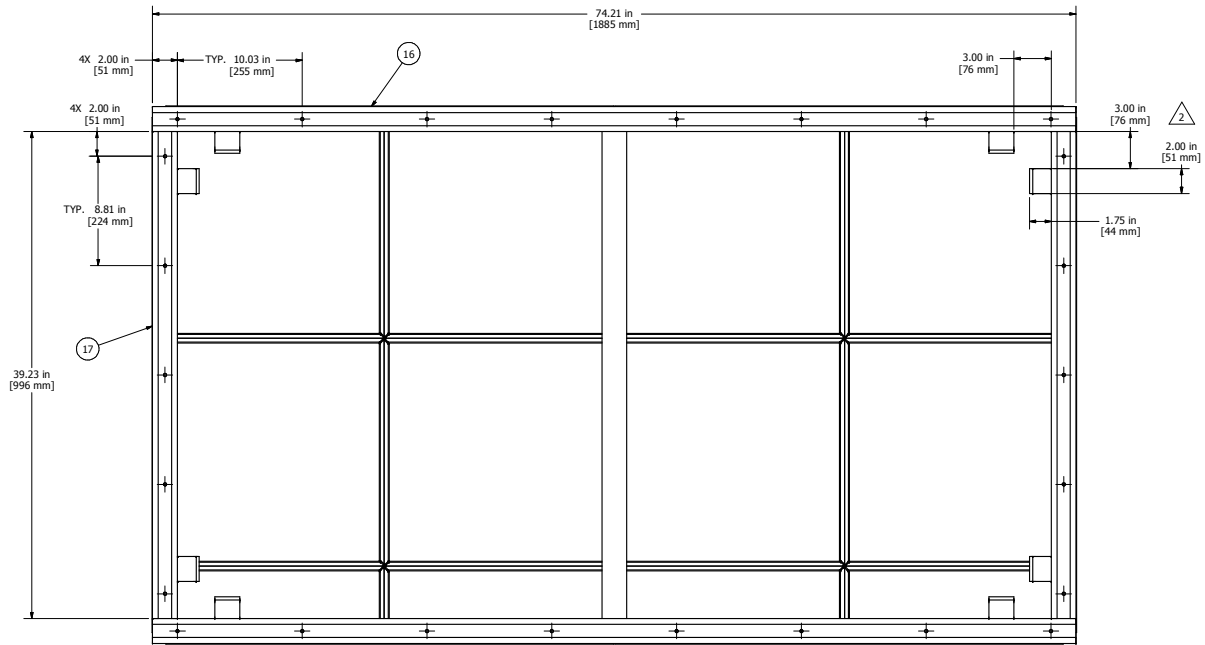
**HALDOR TOPSOE**

INFORMATION CONTAINED HEREIN IS CONFIDENTIAL, MAY NOT BE USED FOR ANY PURPOSE OTHER THAN FOR WHICH IT HAS BEEN ISSUED, AND MAY NOT BE USED BY OR DISCLOSED TO THIRD PARTIES WITHOUT WRITTEN APPROVAL OF HALDOR TOPSOE INC.


REV	DESCRIPTION	DATE	DESIGNER	CHECKED BY	APPROVED
2	ADD GUIDE BARS	1/13/2016	LTR	ANLS	ANLS
1	ADD ROPE, SHEET METAL	12/28/2015	LTR	ANLS	ANLS
1	ADD TADPOLE GASKET	12/28/2015	LTR	ANLS	ANLS
0	FIRST ISSUE	09/17/14	CHR	ANLS	ANLS

<b>PEERLESS MFG.</b> <b>AERA ENERGY</b> <b>SCR DeNOx TECHNOLOGY</b> <b>H042.34EEEHS MODULE</b>	DWG SIZE	ITEM
	D	
SCALE	MODIFICATIONS	
NONE		

DOCUMENT: DNX-14-6260-01 SHEET 1 OF 2



**BOTTOM VIEW**

**HALDOR TOPSOE** 

INFORMATION CONTAINED HEREIN IS CONFIDENTIAL, MAY NOT BE USED FOR ANY PURPOSE OTHER THAN FOR WHICH IT HAS BEEN ISSUED, AND MAY NOT BE USED BY OR DISCLOSED TO THIRD PARTIES WITHOUT WRITTEN APPROVAL OF HALDOR TOPSOE INC.


<b>PEERLESS MFG. AERA ENERGY SCR DeNOx TECHNOLOGY HO42.34EEHS MODULE</b>	DWG SIZE	ITEM
	D	<b>MODIFICATIONS</b>
SCALE		

DOCUMENT ID: **DNX-14-6260-01** SHEET 2 OF 2 2

REV. NO.      DOCUMENT NUMBER