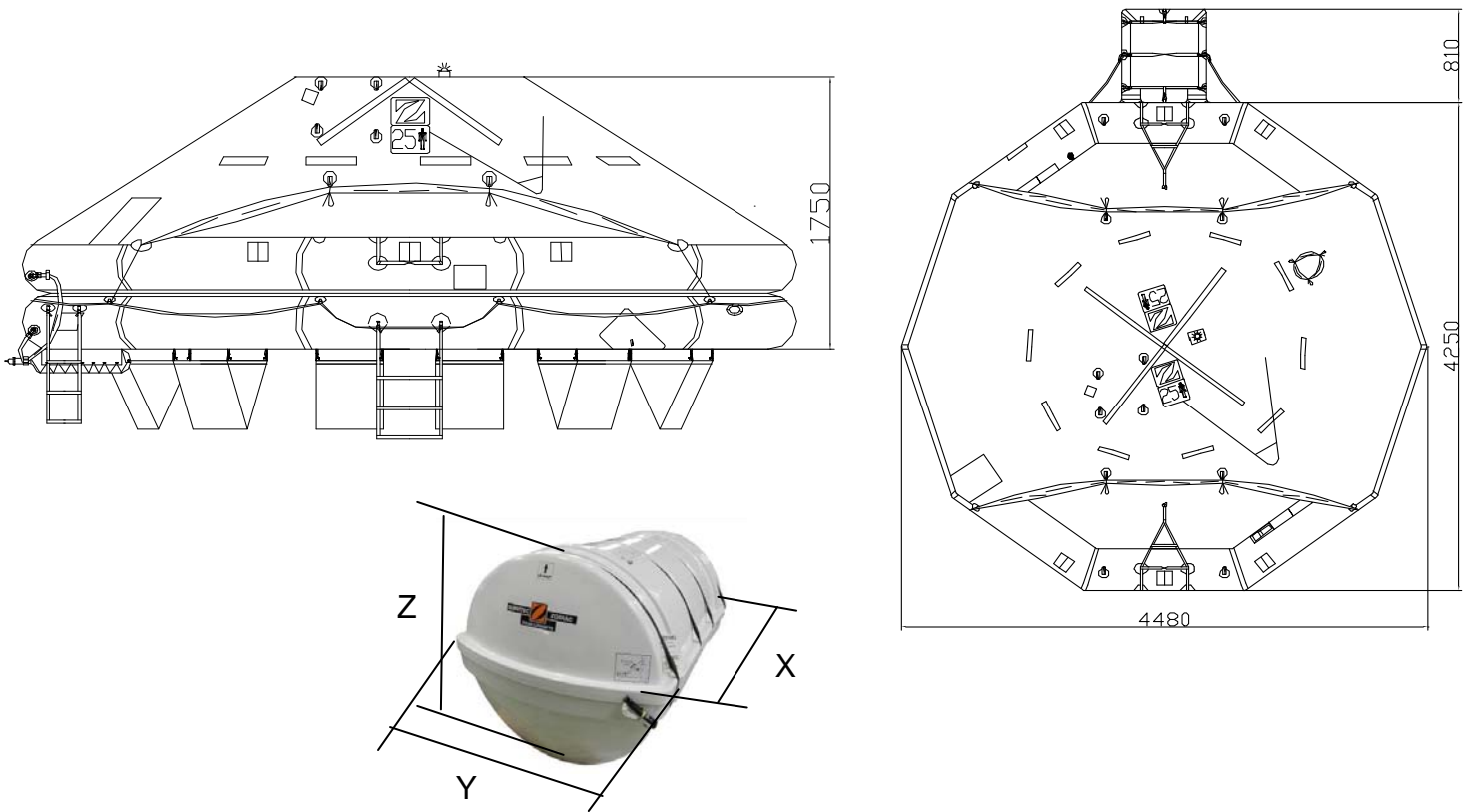
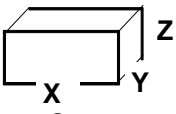


25 MAN THROW OVER BOARD LIFERAFT ROUND CONTAINER SOLAS A & B PACK



25 MAN	A PACK			B PACK		
Container	N15GM			N14		
Dimensions	X: 1275 mm X: 4' 2,2"	Y: 800 mm Y: 2' 7,5"	Z: 755 mm Z: 2' 5,73"	X: 1275 mm X: 4' 2,2"	Y: 680 mm Y: 2' 2,78"	Z: 615 mm Z: 2' 0,22"
Liferaft Net Weight	173 kg / 382 pounds			113 kg / 250 pounds		
Height stowage	25 m / 83'		36 m / 119'	25 m / 83'		36 m / 119'
Painter line length	35 m / 115'		50 m / 165'	35 m / 115'		50 m / 165'
Inflation Cylinder	1 x 20 liter					

 Crate	X: 1360 mm X: 4' 5,55"	Y: 840 mm Y: 2' 9,08"	Z: 900 mm Z: 2' 11,44"	X: 1360 mm X: 4' 5,55"	Y: 720 mm Y: 2' 4,35"	Z: 770 mm Z: 2' 6,32"
	208 kg / 459 pounds			144 kg / 318 pounds		
	1,029 m ³ / 36,31 cubic foot			0,754 m ³ / 26,63 cubic foot		

Towing force	2 knots	3 knots
Without sea anchor	80 daN	145 daN
With sea anchor	125 daN	205 daN

Approvals:	EC (MED) – USCG – TC – RMRS – BV – CCS
-------------------	---

25 TO cont rond 04092012 KLT.doc	Issue : 6	Date : 04/09/2012
----------------------------------	-----------	-------------------

Dimensions and weight +/- 5%
SURVITEC SAS reserves the right to change specification without notice.
For installation, add minimum +10mm for clearance to dimensions of the container.