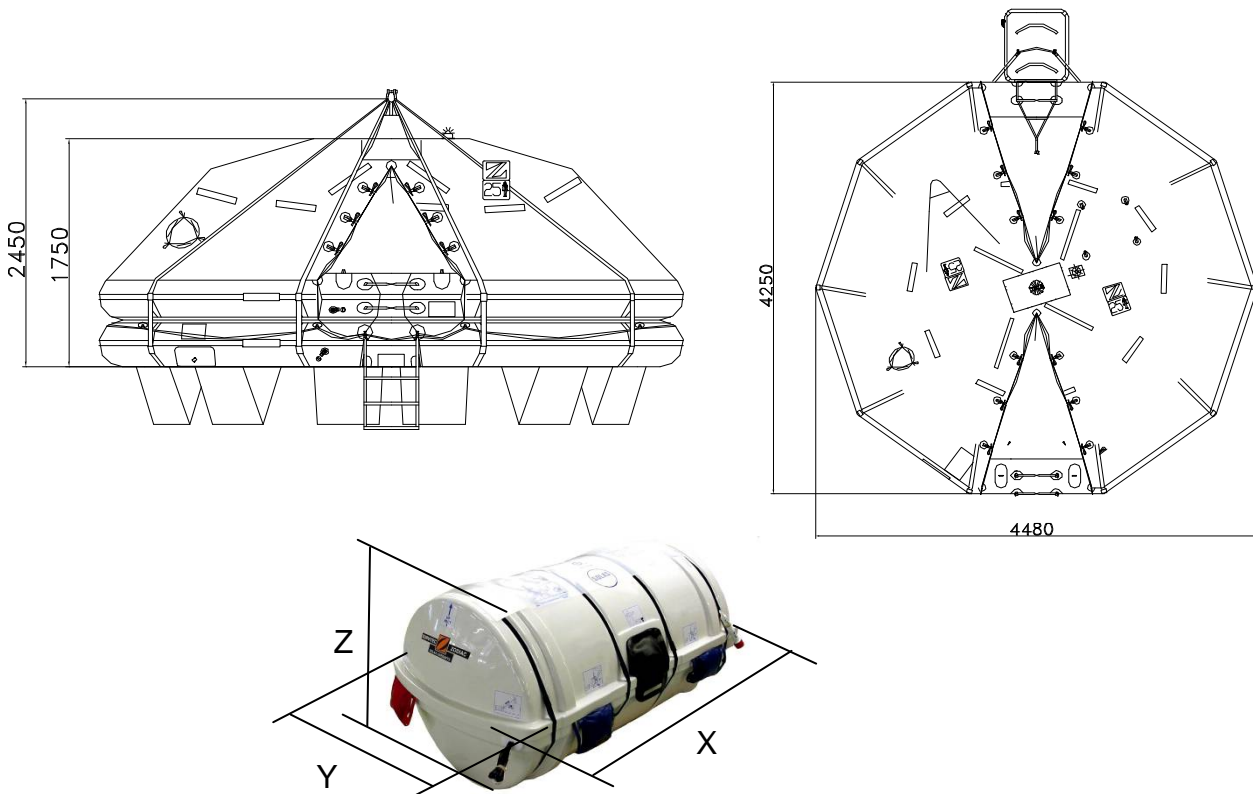
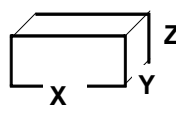


25 PERSON DAVIT LAUNCHED LIFERAFT (NG) ROUND CONTAINER



| 25 MAN | A PACK | | | B PACK | | |
|---------------------|---------------------------|-------------------------|--------------------------|--------------------------|-------------------------|--------------------------|
| Container | N16B | | | N15B | | |
| Dimensions | X: 1450 mm X: 4' 9,09" | Y: 800 mm Y: 2' 7,5" | Z: 740 mm Z: 2' 5,14" | X: 1275 mm X: 4' 2,2" | Y: 800 mm Y: 2' 7,5" | Z: 740 mm Z: 2' 5,14" |
| Liferaft Net Weight | 200 kg / 441 pounds | | | 140 kg / 309 pounds | | |
| Max. height stowage | 25 m / 83' | 36 m / 119' | | 25 m / 83' | 36 m / 119' | |
| Painter line length | 35 m / 115' | 50 m / 165' | | 35 m / 115' | 50 m / 165' | |
| Inflation Cylinder | 1 x 20 liter | | | | | |

| | | | | | | |
|---|-----------------------------|--------------------------|---------------------------|-----------------------------|--------------------------|---------------------------|
|  Crate | X: 1530 mm X: 5' 0,24" | Y: 850 mm Y: 2' 9,47" | Z: 900 mm Z: 2' 11,44" | X: 1355 mm X: 4' 5,35" | Y: 840 mm Y: 2' 9,08" | Z: 900 mm Z: 2' 11,44" |
| | 240 kg / 530 pounds | | | 175 kg / 386 pounds | | |
| | 1,171 m3 / 41,33 cubic foot | | | 1,025 m3 / 36,18 cubic foot | | |
| | | | | | | |

| | | |
|---------------------|----------------|----------------|
| Towing force | 2 knots | 3 knots |
| Without sea anchor | 92 daN | 127 daN |
| With sea anchor | 138 daN | 215 daN |

Approvals: EC (MED) – USCG – TC – RMRS – BV – CCS

25 DL cont rond 03092012 KLT.doc

Issue : 7

Date: 03/09/2012

Dimensions and weight +/- 5%
SURVITEC SAS reserves the right to change specification without notice.
For installation, add minimum +10mm for clearance to dimensions of the container.