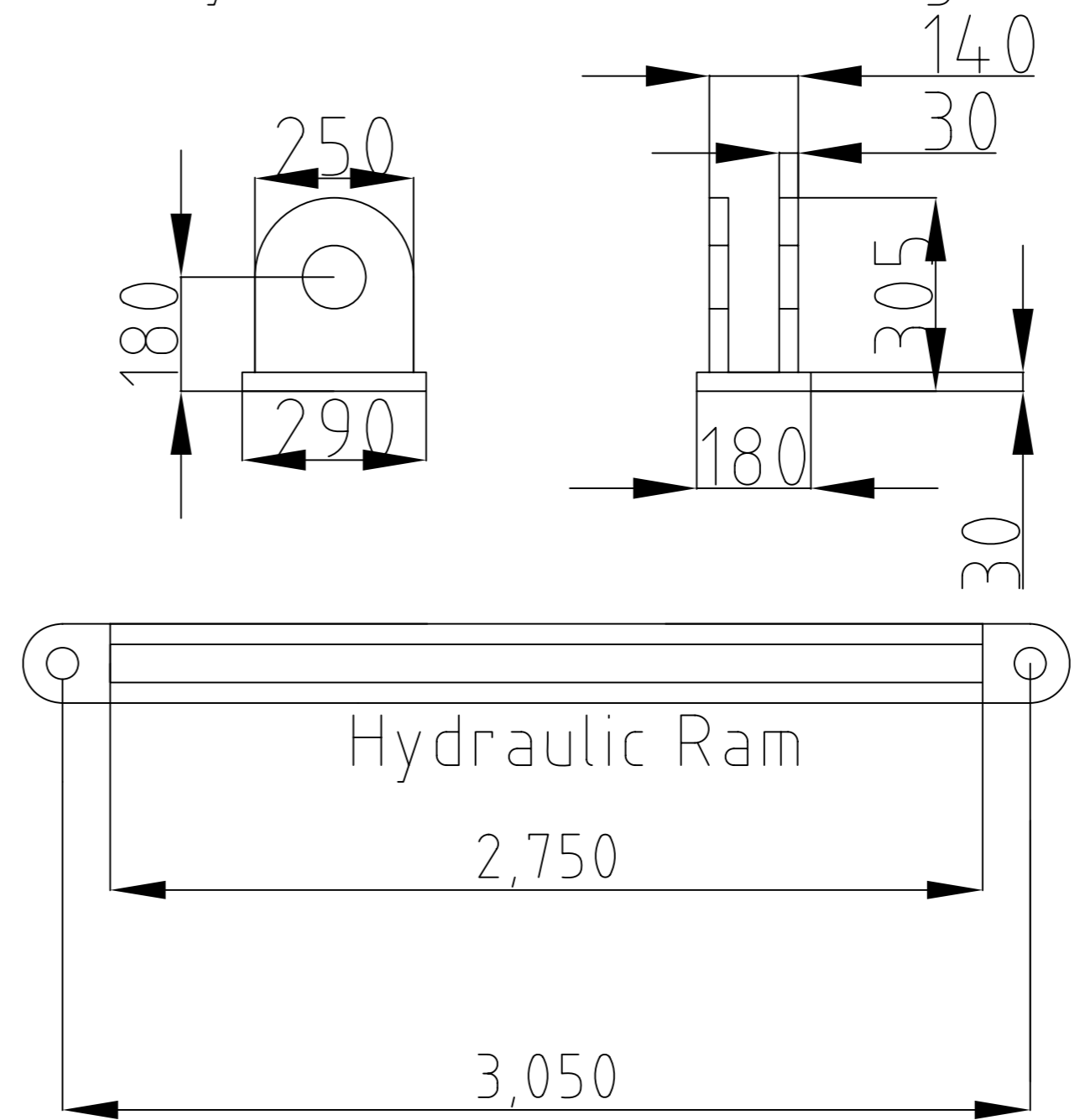
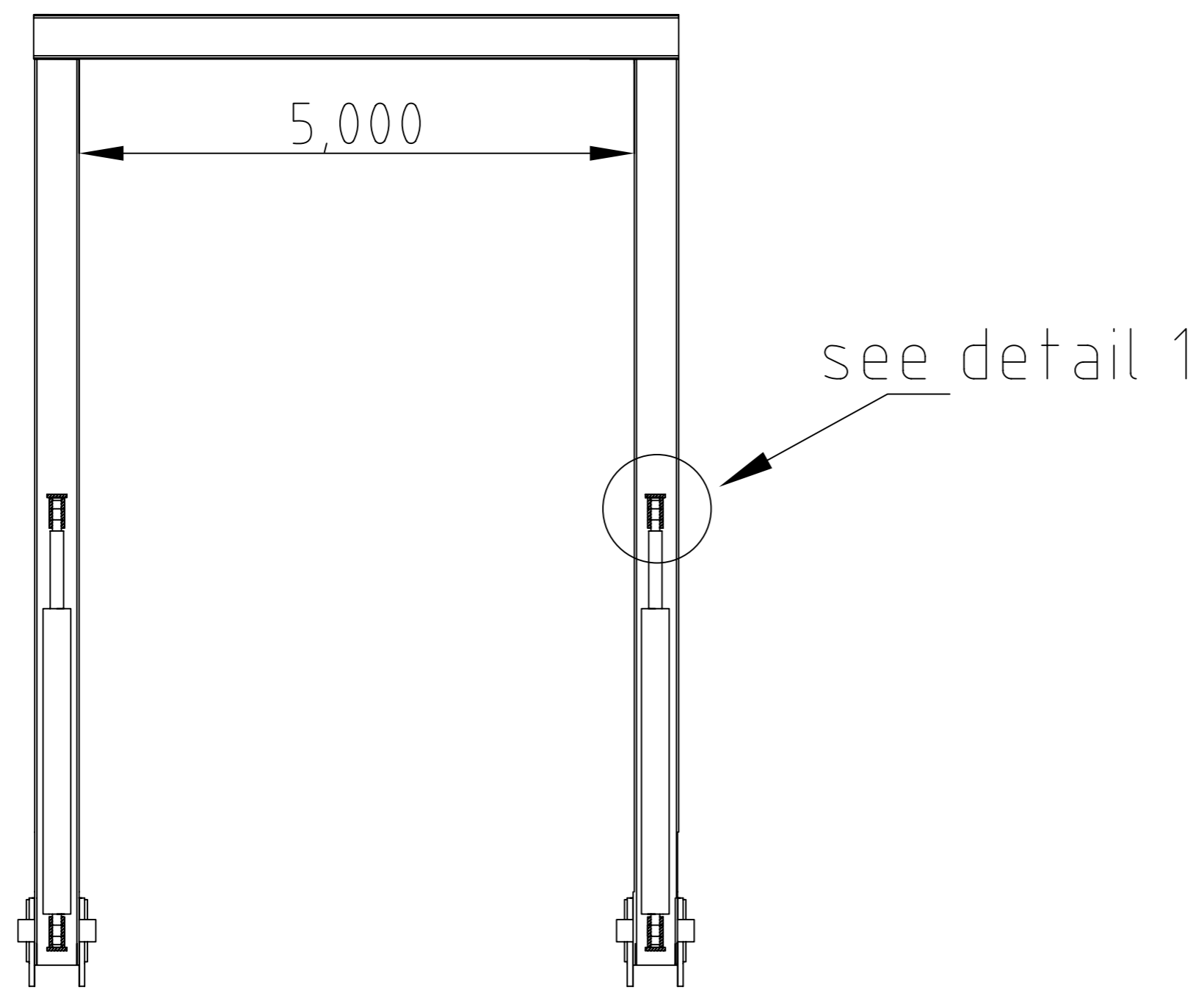



detail 1  
Hydraulic Heel Fittings



A		ISSUED FOR COMMENTS 10-04-15			
ISSUE No	AMENDMENTS				
 ST ANDREW'S HOUSE, 33 BEVERLEY ROAD, HULL, ENGLAND, HU3 1XH TELEPHONE: +44 (0) 1482 324964 FAX: +44 (0) 1482 226679 UK LTD E-MAIL: info@shiptech.co.uk WEB: www.shiptech.co.uk					
TITLE HYDRAULIC DIAGRAM					
VESSEL DOS EXPLORER					
CLASSIFICATION SOCIETY	REGULATORY AUTHORITY	OWNER	DRAWN	CHECKED	ISSUED
					10-04-15
CLIENT				SCALE 1/50	DRG No: 174-001.001