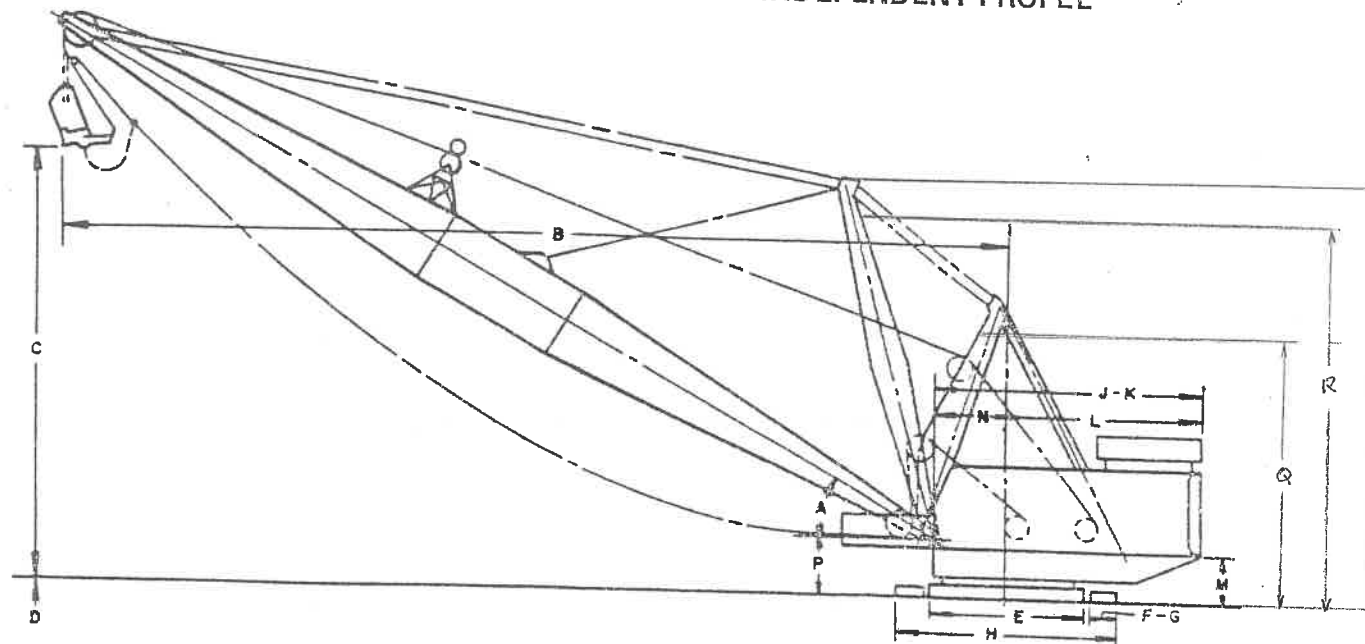


8050 WALKING DRAGLINE

WARD LEONARD — STATIC CONTROL — INDEPENDENT PROPEL

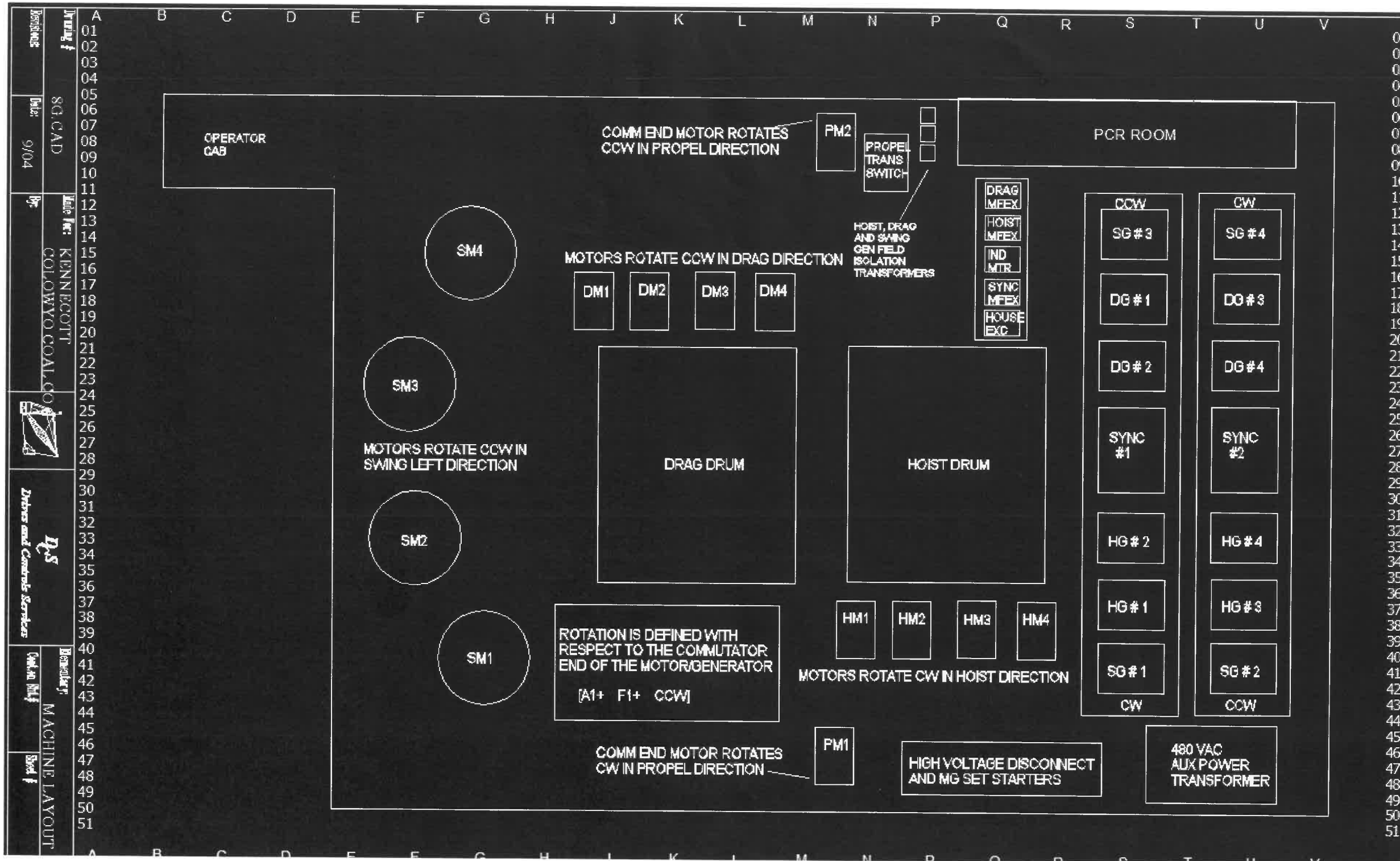


SPECIFICATION 8050-45A

LOT 25

Boom Length (Centerline)	325'-0"
A — Boom Angle (Approx.)	34.5°
B — Dump Radius	295'-0"
C — Dump Height	140'-0" 125'
D — Depth	160'-0"
E — Tub Nominal Outside Diameter	66'-0" <i>62' tub</i>
Rail Circle Mean Diameter	46'-6"
Main Swing Gear Pitch Diameter	40'-7"
F — Width of Shoe	11'-0"
G — Length of Shoe	73'-0"
H — Width over Both Shoes	91'-0"
Length of Step (Approx.)	6'-3"
J — Rear End Width	67'-4"
K — Length of Rotating Frame	89'-0"
L — Rear End Clearance Radius	66'-0"
M — Clearance Under Rotating Frame	8'-8"
N — Center Rotation to Boom Foot	21'-6"
P — Ground to Boom Foot	12'-3-1/2"
Working Weight, Lbs.	6,540,000
Ballast, Lbs.	900,000
Maximum Allowable Load, Lbs. <i>Target RSL + 15% Aug 2007</i>	280,000 <i>322,000</i>
Q — GROUND TO SAFETY CABLE LUGS — GANTRY	80'
R — GROUND TO SAFETY CABLE LUGS — MAST	94'
S — GROUND TO TOP OF MAST — MAST UP	109'

15% OVER RSL



Revision: SG, CAD Date: 9/04
 Title: KENNECOTT COLONY COAL CO
 Drawn and Checked: DCS
 Machine Layout

01
02
03
04
05
06
07
08
09
10
11
12
13
14
15
16
17
18
19
20
21
22
23
24
25
26
27
28
29
30
31
32
33
34
35
36
37
38
39
40
41
42
43
44
45
46
47
48
49
50
51

103 DRAGLINE DIMENSIONS

MEASURED BY TAPE/SURVEY ON 2-14-17

