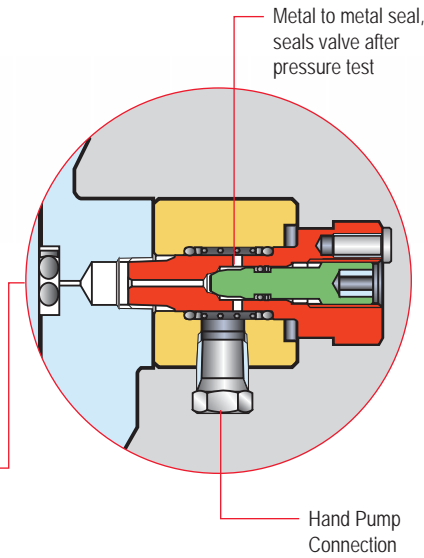


# Quick Test Sub - QTS

The Elmar Quick Test Sub (QTS) is designed to save rig time while pressure testing the wireline pressure control equipment string when multiple wireline runs are required.



Quick Test Injection Port c/w Integral Valve

The Elmar Quick Test Sub is inserted either above or below the wireline valve at the position of the joint normally opened to insert and retrieve tools from the well. After performing the first pressure test to check the integrity of the whole String, subsequent pressure tests can be made using the Quick Test Sub to verify the integrity of the joint disconnected, rather than having to test the complete string.

This is achieved by connecting a small hydraulic hand-pump to the Quick Test Sub and testing the joint 'O' ring seal from the outside. It is estimated that the use of the Elmar Quick Test Sub can reduce the time needed to pressure test the String at each subsequent test by more than 1/2 hour.

## Features

- Saves rig time on pressure test due to design features
- Eliminates prospect of contaminating well with test fluids
- Saves on glycol
- Eliminates risks of pressure testing with perforating guns

## PART NUMBERS

Part Number	I.D	Working Pressure	Service	Quick Union Connection	Seal Kit
L-971404	3"	10,000 psi	H <sub>2</sub> S	4 3/4"-4x2thd (3.750") Elmar	L-971404K
L-972235	3"	10,000 psi	H <sub>2</sub> S	5 3/4"-4thd (4.000") Otis	L-972235K
L-970918	3"	10,000 psi	H <sub>2</sub> S	6 1/2"-4thd (4.750") Otis	L-970918K
L-971299	4"	10,000 psi	H <sub>2</sub> S	8 1/4"-4x2thd (6.000") Bowen	L-971299K
L-972578	3"	15,000 psi	H <sub>2</sub> S	7"-5thd (4.375") Bowen	L-972578K
L-972222	4 1/16"	10,000 psi	H <sub>2</sub> S	6 1/8"-4x2thd (4.750") Elmar	L-972222K
L-980972	4.89"	5,000 psi	H <sub>2</sub> S	6 7/8"-4thd (5.625") Elmar	L-980972K
L-9701013745	5 1/8"	10,000 psi	H <sub>2</sub> S	7 7/8"-4x2thd (6.125") Elmar	L-9701013745K
L-973101	5 1/8"	10,000 psi	H <sub>2</sub> S	9"-4thd (6.750") Otis	L-973101K
L-973577	6 3/8"	10,000 psi	H <sub>2</sub> S	11 1/2"-4thd (8.250") Otis	L-973577K
L-981721	6.67"	5,000 psi	H <sub>2</sub> S	9 7/8"-4thd (7.750") Elmar	L-981721K

Note: Additional sizes available on request.

## QUICK TEST SUB & WIRELINE CABLE CUTTER HAND PUMP

Part Number	Description
L-690573	Hand Pump Assembly 10,000 psi Working Pressure
L-690676	Hand Pump Assembly 15,000 psi Working Pressure



## HYDRAULIC HOSE ASSEMBLY

Part Number	Description
L-690587	25ft (10,000 psi)
L-690586	50ft (10,000 psi)
L-690677	25ft (15,000 psi)

Hose Assembly 1/4" ID, with Quick Connectors and Dust Covers

