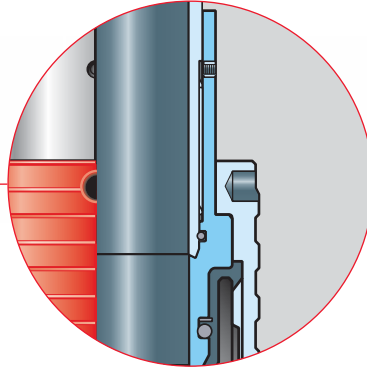


# Lightweight Lubricator

The Elmar "Lite" lubricators enable the wireline tool string to be introduced or retrieved from a well bore under pressure. They are normally positioned above the wireline valve, tool trap or quick test sub.

Up to 70% lighter than an integral equivalent



Buttress Type Thread

By using high strength stainless steel alloys, the weight of a lubricator section is reduced by up to 70% with respect to conventional integral lubricators.

The Elmar "Lite" lubricator consists of four basic parts: a quick union collar, a male quick union, a lubricator tube, and a female quick union. The quick unions are manufactured in H<sub>2</sub>S resistant alloy steel to prevent galling.

Elmar "Lite" lubricators are rated 10,000 psi H<sub>2</sub>S service. The Elmar lightweight quick unions have been selected for optimum weight reduction and to prevent unsafe cross-string assembly. Upper and lower adapters are available to connect existing equipment. These are rated 5,000 psi or 10,000 psi depending on the type of connection.

### 3" I.D. LIGHTWEIGHT LUBRICATOR

Part Number	Upper Connection	Lower Connection	I.D.	W.P.	Srv.	L.	WT.
L-9701971246L040	4 3/4"- 4x2thd (3.750") Elmar Box	4 3/4"- 4x2thd (3.750") Elmar Pin	3"	10K	H <sub>2</sub> S	4ft	54 lb
L-9701971246L050	4 3/4"- 4x2thd (3.750") Elmar Box	4 3/4"- 4x2thd (3.750") Elmar Pin	3"	10K	H <sub>2</sub> S	5ft	63 lb
L-9701971246L060	4 3/4"- 4x2thd (3.750") Elmar Box	4 3/4"- 4x2thd (3.750") Elmar Pin	3"	10K	H <sub>2</sub> S	6ft	72 lb
L-9701971246L080	4 3/4"- 4x2thd (3.750") Elmar Box	4 3/4"- 4x2thd (3.750") Elmar Pin	3"	10K	H <sub>2</sub> S	8ft	90 lb
L-9701971246L100	4 3/4"- 4x2thd (3.750") Elmar Box	4 3/4"- 4x2thd (3.750") Elmar Pin	3"	10K	H <sub>2</sub> S	10ft	108 lb

### 4 1/16" I.D. LIGHTWEIGHT LUBRICATOR

Part Number	Upper Connection	Lower Connection	I.D.	W.P.	Srv.	L.	WT.
L-9701971846L040	6 1/8"- 4x2thd (4.750") Elmar Box	6 1/8"- 4x2thd (4.750") Elmar Pin	4.06"	10K	H <sub>2</sub> S	4ft	96 lb
L-9701971846L050	6 1/8"- 4x2thd (4.750") Elmar Box	6 1/8"- 4x2thd (4.750") Elmar Pin	4.06"	10K	H <sub>2</sub> S	5ft	113 lb
L-9701971846L060	6 1/8"- 4x2thd (4.750") Elmar Box	6 1/8"- 4x2thd (4.750") Elmar Pin	4.06"	10K	H <sub>2</sub> S	6ft	129 lb
L-9701971846L080	6 1/8"- 4x2thd (4.750") Elmar Box	6 1/8"- 4x2thd (4.750") Elmar Pin	4.06"	10K	H <sub>2</sub> S	8ft	161 lb
L-9701971846L100	6 1/8"- 4x2thd (4.750") Elmar Box	6 1/8"- 4x2thd (4.750") Elmar Pin	4.06"	10K	H <sub>2</sub> S	10ft	193 lb

### 5 1/8" I.D. LIGHTWEIGHT LUBRICATOR

Part Number	Upper Connection	Lower Connection	I.D.	W.P.	Srv.	L.	WT.
L-9701013338L040	7.875"- 4x2thd (6.125") Elmar Box	7.875"- 4x2thd (6.125") Elmar Pin	5 1/8"	10K	H <sub>2</sub> S	4ft	181 lb
L-9701013338L050	7.875"- 4x2thd (6.125") Elmar Box	7.875"- 4x2thd (6.125") Elmar Pin	5 1/8"	10K	H <sub>2</sub> S	5ft	212 lb
L-9701013338L060	7.875"- 4x2thd (6.125") Elmar Box	7.875"- 4x2thd (6.125") Elmar Pin	5 1/8"	10K	H <sub>2</sub> S	6ft	242 lb
L-9701013338L080	7.875"- 4x2thd (6.125") Elmar Box	7.875"- 4x2thd (6.125") Elmar Pin	5 1/8"	10K	H <sub>2</sub> S	8ft	304 lb
L-9701013338L100	7.875"- 4x2thd (6.125") Elmar Box	7.875"- 4x2thd (6.125") Elmar Pin	5 1/8"	10K	H <sub>2</sub> S	10ft	366 lb

### ACCESSORIES

Torque Tool for use in Baker vice (Aluminium Sleeve)		Torque Bench with Grip Vice		Miscellaneous	
L-973957	3" Torque Tool	L-971489	3" Torque Bench	L-970852	3" Hook Wrench
L-973958	4 1/16" Torque Tool	L-972196	4 1/16" Bench	L-971983	4 1/16" Hook Wrench
L-973959	Combined 3" & 4 1/16" Torque Tool Set	L-973217	Combined 3" & 4 1/16" Torque Bench Set	L-981611	5 1/8" Alum. Sleeve
Test Cap		Test Plug		Connection	
L-9701035927		L-9701035926		4 3/4"- 4x2thd (3.750") Elmar	
L-9701035929		L-9701035928		4 3/4"- 4thd (3.750") Elmar	
L-9701035933		L-9701035932		6 1/8"- 4x2thd (4.750") Elmar	
L-9701035931		L-9701035930		7 7/8"- 4x2thd (6.125") Elmar	
L-9701035935		L-9701035934		9"- 4thd (6.750") Otis	

Note: For Seal Kit part numbers add "K" to the item part number e.g. L-9701971246K.

## Features

- Corrosion resistant tube made from high strength NACE certified stainless steel
- Quick unions are coupled through premium Elmar Lite coupling:
  - Tube-to-union seal is metal-to-metal backed-up by o-ring
  - Special handling tools can be supplied upon request. Calibrated torque is not required
- Bending stresses at the thread undercut are minimised
- Elmar Lightweight Quick Unions:
  - 3" ID: 4 3/4"- 4x2thd (3.750" seal dia)
  - 4 1/16" ID: 6 1/8"- 4x2thd (4.750" seal dia)
  - 5 1/8" ID: 7.875"- 4x2thd (6.125" seal dia)
- Other unions available upon request