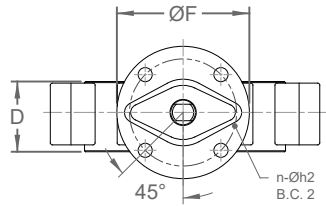
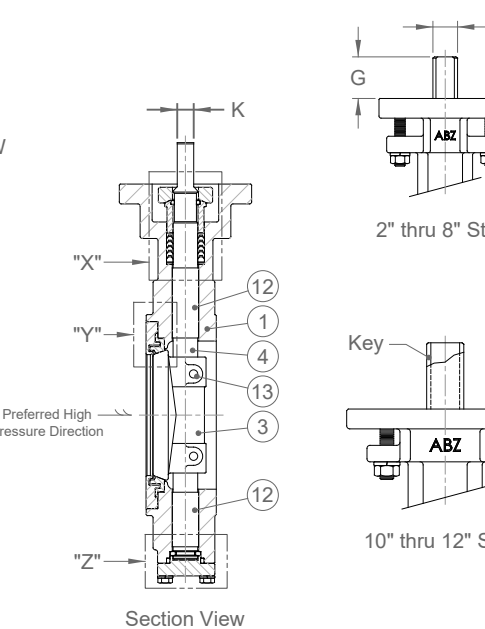
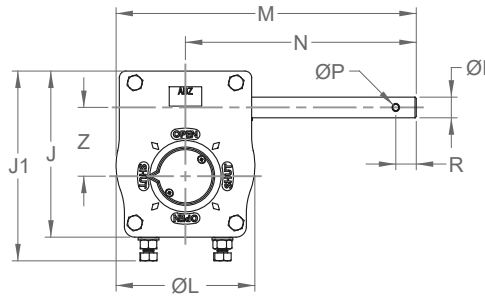


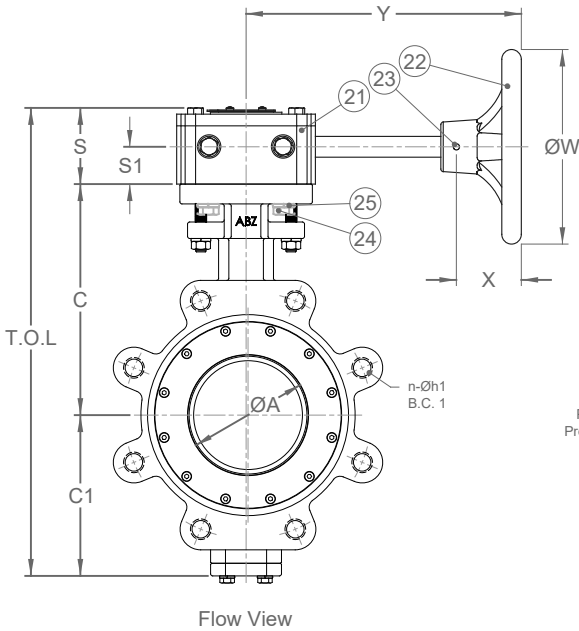
Gear Dimensions															Gear Weight			
Valve Size	Operator	Tap Holes	B.C.	R	N	ØP	ØI	J	S	S1	ØL	M	ØW	X	Y	Z		
2" - 6"	ABZ-10	(4) 3/8"-16 x .55"	3.25	.62	7	.213	.63	5.04	5.76	2.31	1.13	4.21	9.11	5.91	1.97	8.35	2.09	10 lbs
8" - 12"	ABZ-20	(4) 3/8"-16 x .79" (4) 1/2"-13 x .79"	3.25 5	1.16	10.07	.213	.748	6.18	5.76	2.67	1.49	5.98	13.06	11.81	2.06	10.98	2.09	19 lbs



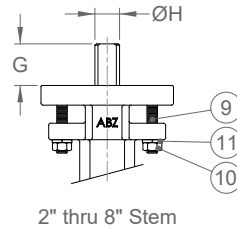
Top View



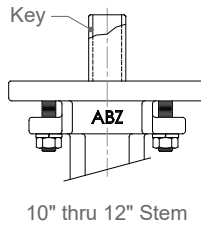
Section View



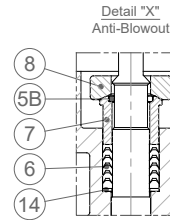
Flow View



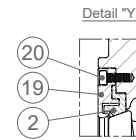
2" thru 8" Stem



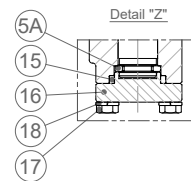
10" thru 12" Stem



Detail "X"
Anti-Blowout



Detail "Y"



Detail "Z"


Parts Schedule			
Item No.	Name	Material	No. Req'd
1	Body	A216-WCB	1
2	Seat Ring	RTFE	1
3	Disc	A351-CF8M	1
4	Stem	A564-630 (17-4 PH)	1
5A	Retainer Ring	A276-316	1
5B	Anti-Blowout Ring	A276-316	1
6	Packing	PTFE	1 Set
7	Packing Gland	A276-316	1
8	Gland Flange	A351-CF8	1
9	Gland Bolt	Stainless Steel	2
10	Nut	Stainless Steel	2
11	Spring Washer	Stainless Steel	2
12	Bush Bearing	RTFE + Stainless Steel	2
13	Disc Pin	316 SS or 17-4 PH	1 Set
14	Packing Retainer	A276-316	1
15	Cap Packing	PTFE	1
16	Cap	A216-WCB	1
17	Cap Bolt	Stainless Steel	1 Set
18	Spring Washer	Stainless Steel	1 Set
19	Seat Retainer	AISI-1020	1
20	Retainer Bolt	Stainless Steel	1 Set
21	Gear	Cast Iron	1
22	Handwheel	Cast Iron	1
23	Roll Pin	Carbon Steel	1
24	Bolt	Zinc Plated Steel	1 Set
25	Spring Washer	Zinc Plated Steel	1 Set

Notes:


- Design : ANSI B16.34 & API 609
- Gasket Contact Surface : Finish 125-250 AARH
- Face to Face Dimension :
3in, 4in, 6in, 8in, 10in, & 12in : API 609 Category B
2in, 2.5in, & 5in : ISO 5752 Short
- Flange Connection : ANSI B16.5 Class 150
- Test Pressure (psig) : API 598.
 - Shell Test :
- Test Medium : Water at room temp.
- Test Pressure : 450 psi
 - Seat Test :
- Test Medium : Water at room temp.
- Test Pressure : 325 psi
- Installation: Bi-Directional / Double Dead End Service
- Valve Rating: Preferred Direction 285 psi
Non-preferred Direction 285 psi
Dead End Service: Preferred Direction 285 psi
Non-preferred Direction 285 psi
Vacuum Service: Vacuum on non-preferred low pressure side.
- Valves manufactured prior to 2013 have only one keyway.

Valve Dimensions

Valve Size		ØA	C	C1	D	ØF	G	ØH	K	Key (Qty. 2)	T.O.L	Valve Weight	Mounting Base			Flange Dimension		
Inch	MM												B.C. 2	n	Øh2	B.C. 1	n	Øh1
2"	50	1.89	4.92	3.94	1.73	4.02	1.26	.551	.374	—	11.17	11 lbs	3.25	4	.43	4.75	4	5/8"x11unc
2-1/2"	65	2.40	5.87	4.02	1.89	4.02	1.26	.624	.437	—	12.20	13 lbs	3.25	4	.43	5.50	4	5/8"x11unc
3"	80	2.83	6.30	4.41	1.93	4.02	1.26	.624	.437	—	13.02	14 lbs	3.25	4	.43	6.00	4	5/8"x11unc
4"	100	3.66	7.01	4.88	2.13	4.02	1.26	.748	.500	—	14.20	23 lbs	3.25	4	.43	7.50	8	5/8"x11unc
5"	125	4.57	7.60	5.55	2.24	4.02	1.26	.748	.500	—	15.46	33 lbs	3.25	4	.43	8.50	8	3/4"x10unc
6"	150	5.43	8.39	6.57	2.24	4.02	1.26	.748	.500	—	17.27	37 lbs	3.25	4	.43	9.50	8	3/4"x10unc
8"	200	7.32	9.45	7.68	2.56	5.98	1.26	.874	.626	—	19.80	60 lbs	5.00	4	.55	11.75	8	3/4"x10unc
10"	250	9.21	11.02	8.66	2.83	5.98	2.05	1.124	—	.25 x .25	22.35	90 lbs	5.00	4	.55	14.25	12	7/8"x9unc
12"	300	10.91	12.20	10.43	3.19	5.98	2.01	1.124	—	.25 x .25	25.31	130 lbs	5.00	4	.55	17.00	12	7/8"x9unc



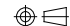
Valve Solutions
ABZ Valves & Controls



Title: **ABZolute Double Offset Butterfly Valve**
Series 402 (CL 150) - Trim 100 - Lug Type

DWG No. **2in-12in 402-100-ABZ Gear**

Date	Drawn	Checked	Unit
03-07-18	BC	Tp	inch

Projection 

Template **R1**
Revision **0**

Dimensions are subject to change without notice.